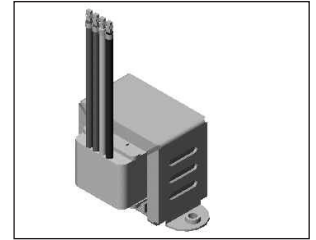
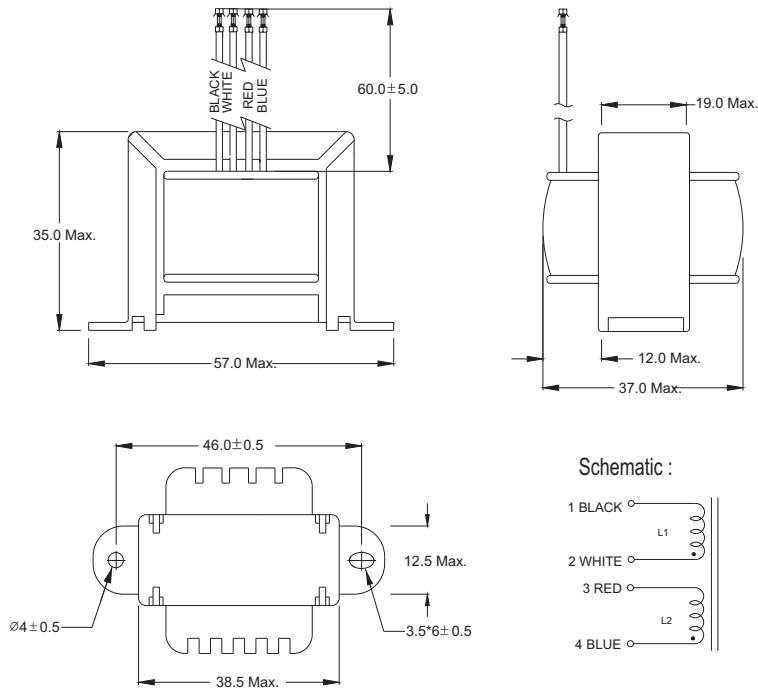


PFC Chokes for Power Supply

PFC3515V Series

Mechanical Dimension: Unit: mm



Features

- Harmonics current regulation
- Low leakage flux suitable for power supply

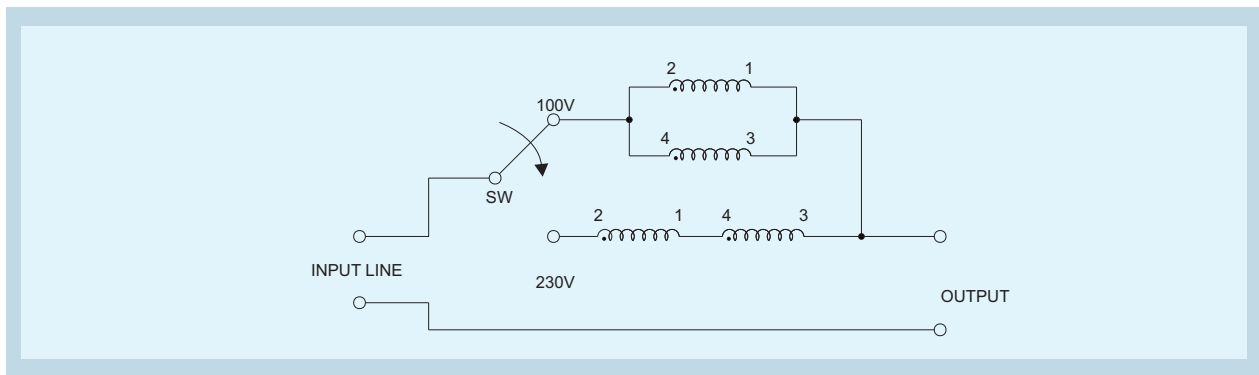
The PFC (Power Factor Corrector) chokes is suitable for power supply. It is applied to regulate the harmonics current and raise the power factor.

Electrical Characteristics

- AT 25°C, 60Hz/1V

PART NO.	INDUCTANCE (mH) Min.		DCR (Ω) Max.	INPUT POWER (reference)	WITHOUT FAN			WITH FAN		
	100V INPUT	230V INPUT			RATED CURRENT (Arms)		TEMPERATURE RISE (°C) Max.	RATED CURRENT (Arms)		TEMPERATURE RISE (°C) Max.
					100V INPUT	230V INPUT		100V INPUT	230V INPUT	
PFC3515V01	11	50	3.8	135W	1.5	0.85	55	1.8	1.02	55
PFC3515V02	12	60	4.0	160W	1.55	0.90	55	1.86	1.08	55

Recommended Circuit



DELTA ELECTRONICS, INC.

(TAOYUAN PLANT CPBG) 252, SAN YING ROAD, KUEISAN INDUSTRIAL ZONE, TAOYUAN SHIEN, 333, TAIWAN, R.O.C.

TEL: 886-3-3591968; FAX: 886-3-3591991

<http://www.deltawww.com>